

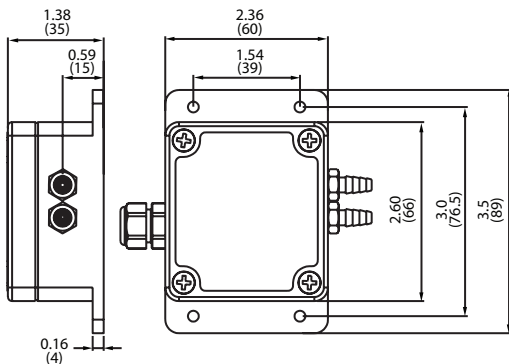
Weatherproof Differential Pressure Transmitter



- Compact Design
- 0.25% Accuracy
- IP 65 Enclosure
- 4-20 mA or 0-10 V Output

The Series 212 Weatherproof Differential Pressure Transmitter can accurately measure positive, negative, or differential pressure and send a corresponding 4-20 mA or 0-10 V output signal. The Series 212 Weatherproof Differential Pressure Transmitter is designed with an IP 65 enclosure and can be easily mounted to any flat surface. The Series 212 is not position sensitive and can be mounted in any orientation without compromising accuracy. The compact, lightweight design makes installation simple and easy.

DIMENSIONS



SPECIFICATIONS

Maximum Pressure:

Ranges \leq 5 PSI (35 kPa) = 15 PSI (100 kPa) Max
 Ranges $>$ 5 PSI (35 kPa) = 30 PSI (200 kPa) Max

Media compatibility: Air and compatible non combustible, non corrosive gases

Accuracy: Ranges \leq 4" w.c. (1 kPa) 1.0% Ranges \geq 5" w.c. (1.25 kPa) 0.25%

Temperature Ranges:

Compensated: 15° to 120°F (-10° to 50°C)

Operating: -10° to 155°F (-25° to 70°C)

Thermal Effect: +/- 0.028% FS/°F (+/- 0.050%/°C)

Stability: +/- 0.25% FS/year

Output Signal: 4-20 mA, 2 wire or 0-10V

Loop Resistance: 250 Ω @ 24 VDC

Power Supply: 12-30 VDC

Enclosure Rating: IP 65

Electrical Connections: screw terminals

Electrical Entry: PG7 cable gland

Process Connection: Barbed fittings for 3/16" flexible tubing

Agency Approvals: CE

MODEL NUMBERS

Model	Pressure Range	Accuracy
212-D001I-1	0-1"	1%
212-D002I-1	0-2"	1%
212-D004I-1	0-4"	1%
212-D006I-3	0-6"	0.25%
212-D010I-3	0-10"	0.25%
212-D020I-3	0-20"	0.25%
212-D040I-3	0-40"	0.25%
212-D005P-3	0-5 PSI	0.25%
212-D010P-3	0-10 PSI	0.25%
212-D015P-3	0-15 PSI	0.25%
212-D250A-1	0-250 Pa	1%
212-D500A-1	0-500 Pa	1%
212-D001K-1	0-1 kPa	1%
212-D002K-3	0-2 kPa	0.25%
212-D003K-3	0-3 kPa	0.25%
212-D005K-3	0-5 kPa	0.25%
212-D010K-3	0-10 kPa	0.25%
212-D025K-3	0-25 kPa	0.25%
212-D050K-3	0-50 kPa	0.25%
212-D100K-3	0-100 kPa	0.25%

For 0-10 V output, add -V to the end of the part number
 Consult factory for other calibration ranges including zero center ranges.