

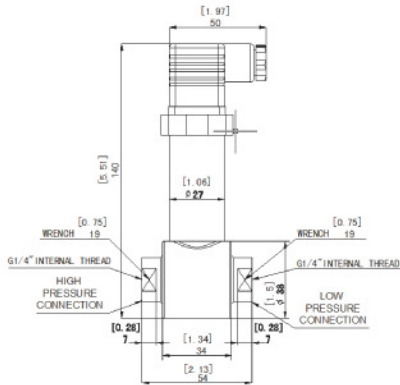
Wet/Wet Differential Pressure Transmitter



- 0.25% Accuracy
- 316 SS construction
- 1000 PSI working pressure
- 5:1 Turn down
- Adjustable signal dampening

The Series 251 wet/wet differential pressure transmitter utilizes a double diaphragm sensor technology that outperforms standard double sensor products in accuracy, reliability and static operating pressure. This differential pressure sensing technology offers 0.25% accuracy with static operating pressures up to 1000 PSI. The Series 251 features 316 stainless steel construction designed to meet NEMA 4X (IP 65) standards. The transmitter also offers exceptional field flexibility with a 5:1 turn down and comes standard with a certificate of calibration.

DIMENSIONS



SPECIFICATIONS

Media Compatibility: Gas and Liquids compatible with 316SS
Accuracy: +/- 0.25% F.S.
Over Pressure: positive – 2x F.S.; negative – 1x F.S.
Working Pressure: 1000 PSI (7MPa)
Temperature Limits: Operating: -40° to 185° F (-40° to 85° C) Compensated: 68° to 158° F (20° to 70° C)
Thermal Effect: 0.028%/° F (0.050%/° C)
Stability: 0.5% F.S./yr
Power Supply: 12-36 VDC
Output Signal: 4-20 mA, 2 wire
 Electrical Connection:
Response Time: 100 ms
Turn Down: 5:1
Dampening: 1-30 s adjustable
Enclosure Rating: NEMA 4X (IP 65)
Process Connection: 1/4" NPT, female
Mounting Position Effect: 0.1% F.S., can be corrected by zero adjust.

MODEL NUMBERS

Model	Range
251-01	0-5 PSI
251-02	0-10 PSI
251-03	0-15 PSI
251-04	0-30 PSI
251-05	0-50 PSI
251-06	0-100 PSI
251-07	0-150 PSI
251-08	0-300 PSI
251-09	0-500 PSI