

# Series S2000 / P2000



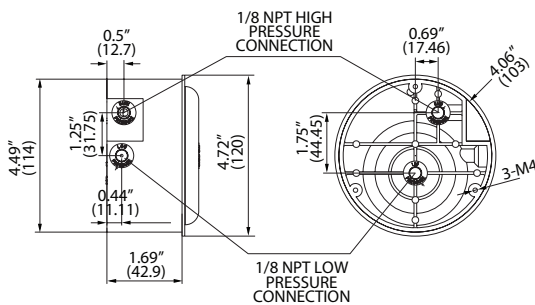
## Low-Cost Differential Pressure Gauge

- Mounts in Industry Standard Holes
- Accuracy 2%
- Die Cast Aluminum Housing (S2000)
- ABS Housing (P2000)



The Series S2000 and P2000 differential pressure gauges are low-cost, diaphragm operated, mechanical pressure gauges. The S2000 and P2000 gage can be used in applications for measuring positive, negative, or differential pressure with an accuracy of 2%. Standard applications include monitoring filter status, duct static pressure, room pressure, fan or blower pressure, paint booths, dust collectors, and cabinet purging along with many others.

### DIMENSIONS



### SPECIFICATIONS

**Pressure Limits:** -20" Hg to 15 PSI (-0.677 bar to 1.034 bar)

**Media Compatibility:** Air and compatible gasses

**Accuracy:** +/- 2% full scale (+/- 3% on -0 and +/- 4% on -00) throughout range at 70°F (21°C)

**Temperature Ranges:** 20° to 140°F (-7° to 60°C)

**Housing Material:** Die cast aluminum case and bezel (ABS for P2000), with acrylic cover

**Process Connection:** 1/8" female NPT duplicate high and low pressure taps - one pair side and one pair back.

**Weight:** 1 lb 2 oz (510 g)

**Accessories:** Two 1/8" NPT barbed fittings, two 1/8" NPT plugs, and three mounting tabs and screws

**Warranty:** 2 years

**Approvals:** RoHS, CE

### MODEL NUMBERS

| Model Number  | Pressure Range | Model Number  | Pressure Range   | Model Number                         | Pressure Range    |
|---|----------------|---|------------------|--------------------------------------|-------------------|
| Inches w.c.   |                | Zero Center Inches w.c.                                     |                  | mm w.c.                              |                   |
| S2000-00  | 0 - 0.25"      | S2300-0   | 0.25 - 0 - 0.25" | S2000-6MM                            | 0 - 6             |
| S2000-0   | 0 - 0.5"       | S2301   | 0.5 - 0 - 0.5"   | S2000-10MM                           | 0 - 10            |
| S2001   | 0 - 1"         | S2302   | 1 - 0 - 1"       | S2000-25MM                           | 0 - 25            |
| S2002   | 0 - 2"         | S2304   | 2 - 0 - 2"       | S2000-50MM                           | 0 - 50            |
| S2003   | 0 - 3"         | S2310   | 5 - 0 - 5"       | S2000-100MM                          | 0 - 100           |
| S2004   | 0 - 4"         | S2320   | 10 - 0 - 10"     | S2000-250MM                          | 0 - 250           |
| S2005   | 0 - 5"         | Pa / kPa  |                  | Zero Center mm w.c.                  |                   |
| S2006   | 0 - 6"         | S2000-60PA  | 0 - 60           | S2300-12MM                           | 6 - 0 - 6         |
| S2008   | 0 - 8"         | S2000-125PA   | 0 - 125          | S2300-20MM                           | 10 - 0 - 10       |
| S2010   | 0 - 10"        | S2000-250PA   | 0 - 250          | S2300-50MM                           | 25 - 0 - 25       |
| S2015   | 0 - 15"        | S2000-500PA   | 0 - 500          | Dual Scale Inches w.c. and Pa or kPa |                   |
| S2020   | 0 - 20"        | S2000-750PA   | 0 - 750          | S2000-00D                            | 0-0.25" / 0 - 60  |
| S2025   | 0 - 25"        | S2000-1KPA  | 0 - 1            | S2000-0D                             | 0-0.5" / 0 - 125  |
| S2030   | 0 - 30"        | S2000-1.5KPA  | 0 - 1.5          | S2001D                               | 0 - 1" / 0 - 250  |
| S2050   | 0 - 50"        | S2000-2KPA  | 0 - 2            | S2002D                               | 0 - 2" / 0 - 500  |
| S2100   | 0 - 100"       | Zero Center Pa  |                  | S2003D                               | 0 - 3" / 0 - 750  |
| <b>Options:</b><br>- ASF Adjustable Signal Flag<br>- CH Chrome Bezel<br>- LT Low Temperature to -20° F (-29° C) |                | S2300-60PA  | 30 - 0 - 30      | S2004D                               | 0-4" / 0 - 1000   |
|   |                | S2300-120PA   | 60 - 0 - 60      | S2006D                               | 0 - 6" / 0 - 1.5  |
|   |                | S2300-250PA   | 125 - 0 - 125    | S2008D                               | 0 - 8" / 0 - 2.0  |
|   |                | For other pressure ranges or custom scales, contact factory |                  | S2010D                               | 0 - 10" / 0 - 2.5 |
|   |                |   |                  | S2020D                               | 0 - 20" / 0 - 5.0 |

For P2000 Replace "S" with "P" - Minimum order quantity for P2000 is 25

### ACCESSORIES

- A-131 Static Pressure Tip with barbed connection
- A-105 Air Filter Kit
- A-103 Surface Mounting Bracket
- A-102 Hanging Bracket / Stand
- A-202 Short Shut Off Valve
- A-203 Long Shut Off Valve
- A-024 Vinyl Tubing 5 feet

